



Universal Clips

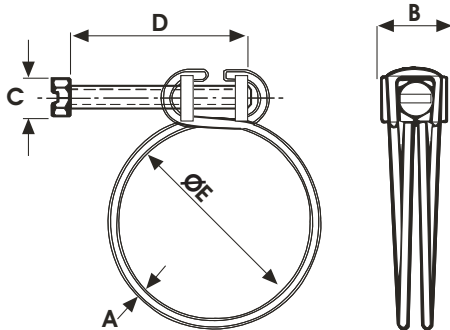
The Largest Manufacturer of Worm-drive Hose Clamps in Southern Africa.

"WB" Screw Type WIRE HOSE CLAMPS

The wire 'Push-Pull' clamps are ideal for automotive, agricultural and industrial applications. They are manufactured from high quality spring-steel wire which provides a small cross sectional area providing a very tight sealing action with limited torque.

The tightening performance is achieved by the "Push-Pull" action of a tap nut and thrust nut being opened, thus reducing the clamping circumference as torque is applied to the screw.

The plated double-strand wire construction provides a double action seal which ensures greater durability and a higher resistance to "blow-off".



The rings & components are zinc electroplated to S.A.B.S. 814, 1974
Special sizes available on request.

Our company's policy is one of continuous product innovation, and we reserve the Right to change specifications without notice. Any such changes would benefit customers and be driven by our response to market requirements and changing specifications

MANUFACTURED IN SOUTH AFRICA



Code	Ø E -mm		Fastener Size	Dimensions as per drawing				Torque N/M Recom.
	Min	Max		A	B	C	D	
WB2012	10.5	12.0	M3	1.5	11.0	5.5	25.0	1.0
WB2013	12.0	13.0	M3	1.5	11.0	5.5	25.0	1.0
WB2014	13.0	14.0	M3	1.5	11.0	5.5	25.0	1.0
WB2015	14.0	15.0	M3	1.5	11.0	5.5	25.0	1.0
WB2016	15.0	16.0	M3	1.8	11.0	5.5	25.0	1.5
WB2017	16.0	17.0	M3	1.8	11.0	5.5	25.0	1.5
WB2018	17.0	18.0	M3	1.8	11.0	5.5	25.0	1.5
WB2019	18.0	19.0	M3	1.8	11.0	5.5	25.0	1.5
WB2020	19.0	20.0	M3	1.8	11.0	5.5	25.0	1.5
WB2021	20.0	21.0	M3	1.8	11.0	5.5	25.0	1.5
WB2022	21.0	22.0	M4	2.0	14.0	7.0	30.0	2.0
WB2023	22.0	23.0	M4	2.0	14.0	7.0	30.0	2.0
WB2025	23.0	25.0	M4	2.2	14.0	7.0	30.0	2.0
WB2027	25.0	27.0	M4	2.2	14.0	7.0	30.0	2.0
WB2029	26.0	29.0	M4	2.2	14.0	7.0	30.0	2.0
WB2031	28.0	31.0	M4	2.2	14.0	7.0	30.0	2.0
WB2033	30.0	33.0	M4	2.2	14.0	7.0	30.0	2.0
WB2035	32.0	35.0	M4	2.2	14.0	7.0	30.0	2.0
WB2037	34.0	37.0	M4	2.2	14.0	7.0	30.0	2.0
WB2040	36.0	40.0	M4	2.2	14.0	7.0	30.0	2.0
WB2043	39.0	43.0	M4	2.2	14.0	7.0	30.0	2.0
WB2046	42.0	46.0	M5	2.5	15.0	8.0	40.0	4.0
WB2049	45.0	49.0	M5	2.5	15.0	8.0	40.0	4.0
WB2051	46.0	50.0	M5	2.5	15.0	8.0	40.0	4.0
WB2053	48.0	53.0	M5	2.5	15.0	8.0	40.0	4.0
WB2056	52.0	56.0	M5	2.5	15.0	8.0	40.0	4.0
WB2060	55.0	60.0	M5	2.5	15.0	8.0	40.0	4.0
WB2064	59.0	64.0	M5	2.5	15.0	8.0	40.0	4.0



Clamps that Torque-up & Grip-Tight. Hoses know!

Universal Clips CC Reg No 2006/107878/23

6 Factory Street, Industria North, Johannesburg
P O Box 58124, Newville, 2114 • E-mail:uniclips@uniclips.co.za
Tel: +27 11 477-1310 Telefax: +27 11 477-7642 / 7476

