



Universal Clips

The Largest Manufacturer of Worm-drive Hose Clamps in Southern Africa.

Fixed Bridge Worm-drive Hose Clamps

The re-usable Steel Fixed Bridge Worm-drive Hose Clamps are suitable for all plastic and rubber hoses.

The high strength mechanically inter-locked construction has no spot welding to weaken resistance to corrosion.

The flexible band facilitates handling and fitting.

The screw thread fully penetrates the perforated band; increasing the strength and reducing the risk of the clamp working loose.

An 8mm slotted hex screw is standard, but a 7mm hex is available on request.



The 'GS' Economy Fixed Bridge Clamp

Ideally suited to general and automotive applications

- Consists of a 400 series stainless steel band
- Zinc electroplated steel housing
- Zinc electroplated, case hardened screw

The 'GSS' Full Stainless Steel Fixed Bridge Clamp

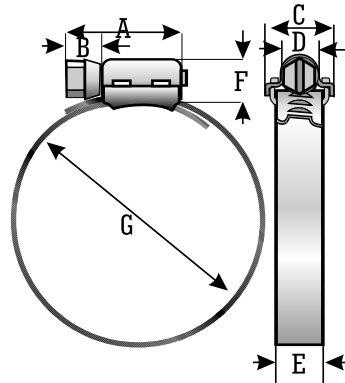
Ideally suited to mining, marine, food, automotive, agriculture and chemical applications - where extra resistance against corrosion is required.

- Manufactured entirely from 300 series stainless steel

Our company's policy is one of continuous product innovation, and we reserve the right to change specifications without notice. Any such changes would benefit customers and be driven by our response to market requirements and changing specifications



MANUFACTURED IN SOUTH AFRICA



	Dimensions mm	inches
A	29.0	1 1/8
B	8.5	11/32
C	17.5	21/32
D	8.0	5/16
E	12.0	15/32
F	11.5	29/64
G	#see below	

Fixed Bridge Codes		Working Range - Ø "G"		Torque
Economy	Stainless	mm	Inches	Nm
'GS'	'GSS'	Min Max	Min Max	Rec*
GS10	GSS10	14 - 27	9/16 - 1 1/16	5.0
GS12	GSS12	14 - 32	9/16 - 1 1/4	5.0
GS16	GSS16	17 - 38	1 1/16 - 1 1/2	5.0
GS20	GSS20	19 - 44	3/4 - 1 3/4	5.0
GS24	GSS24	25 - 51	1 - 2	6.0
GS28	GSS28	32 - 57	1 1/4 - 2 1/4	6.0
GS32	GSS32	38 - 63	1 1/2 - 2 1/2	6.0
GS36	GSS36	44 - 70	1 3/4 - 2 3/4	6.0
GS40	GSS40	51 - 76	2 - 3	7.0
GS44	GSS44	57 - 82	2 1/4 - 3 1/4	7.0
GS48	GSS48	63 - 89	2 1/2 - 3 1/2	7.0
GS52	GSS52	70 - 95	2 3/4 - 3 3/4	7.0
GS54	GSS54	72 - 98	2 13/16 - 3 13/16	7.0
GS56	GSS56	76 - 102	3 - 4	7.0

Bigger sizes available.

*Recommended



Clamps that Torque-up & Grip-Tight. Hoses know!

Universal Clips CC Reg No 2006/107878/23

6 Factory Street, Industria North, Johannesburg
 P O Box 58124, Newville, 2114 • E-mail:uniclips@uniclips.co.za
 Tel: +27 11 477-1310 Telefax: +27 11 477-7642 / 7476



Certified by DQS
 ISO/TS 16949
 ISO 9001
 Reg. No. 327896